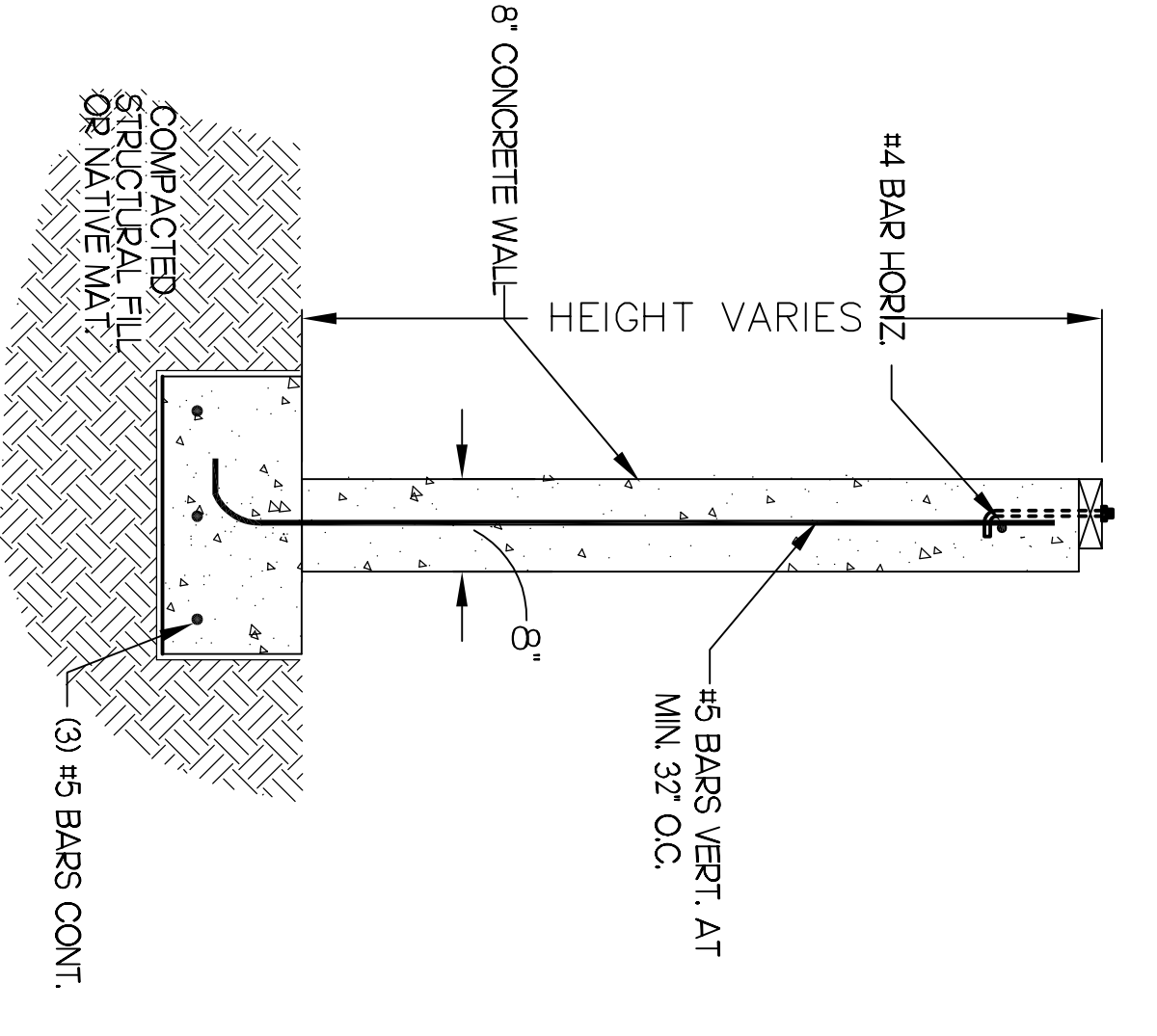
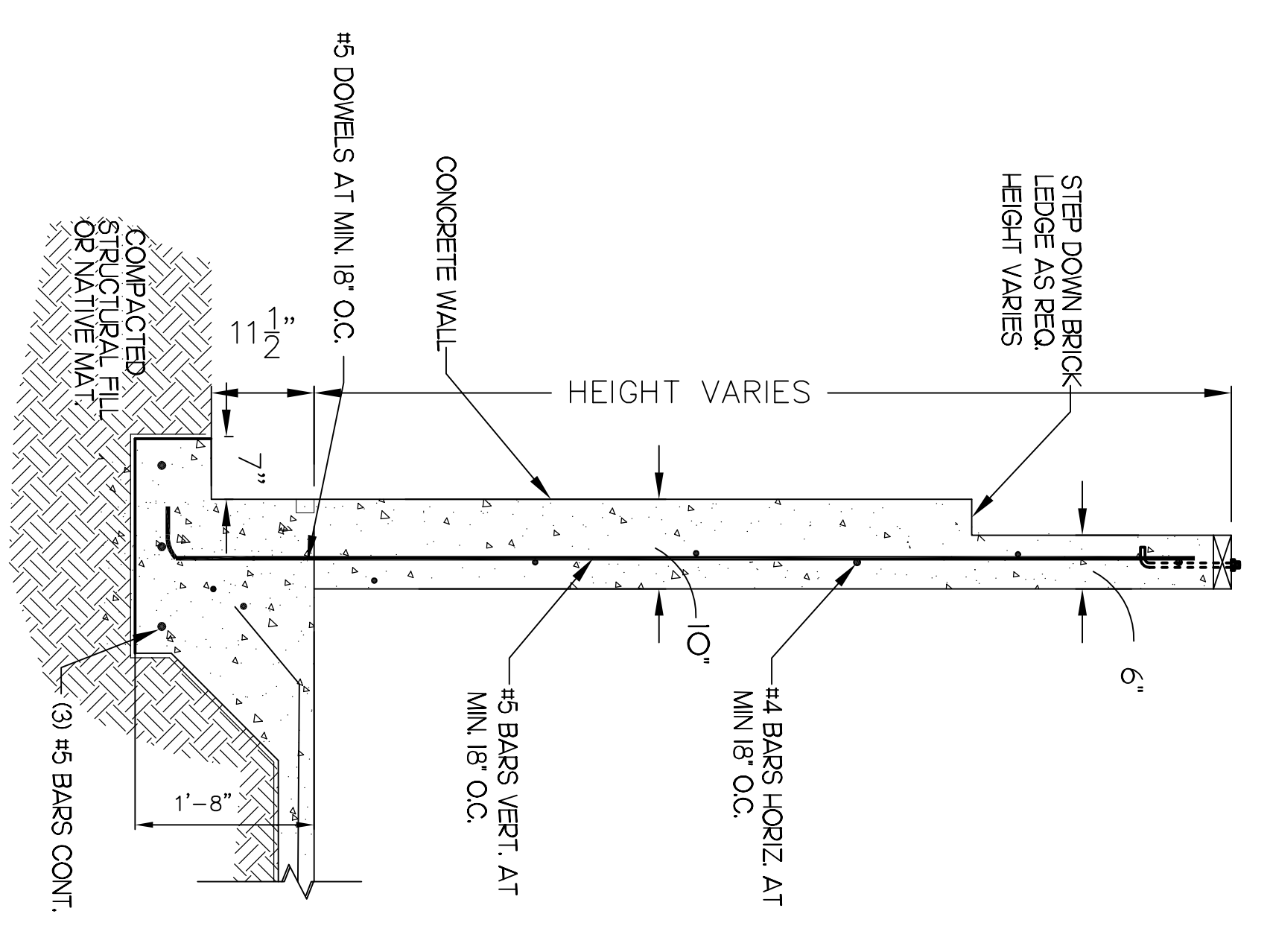


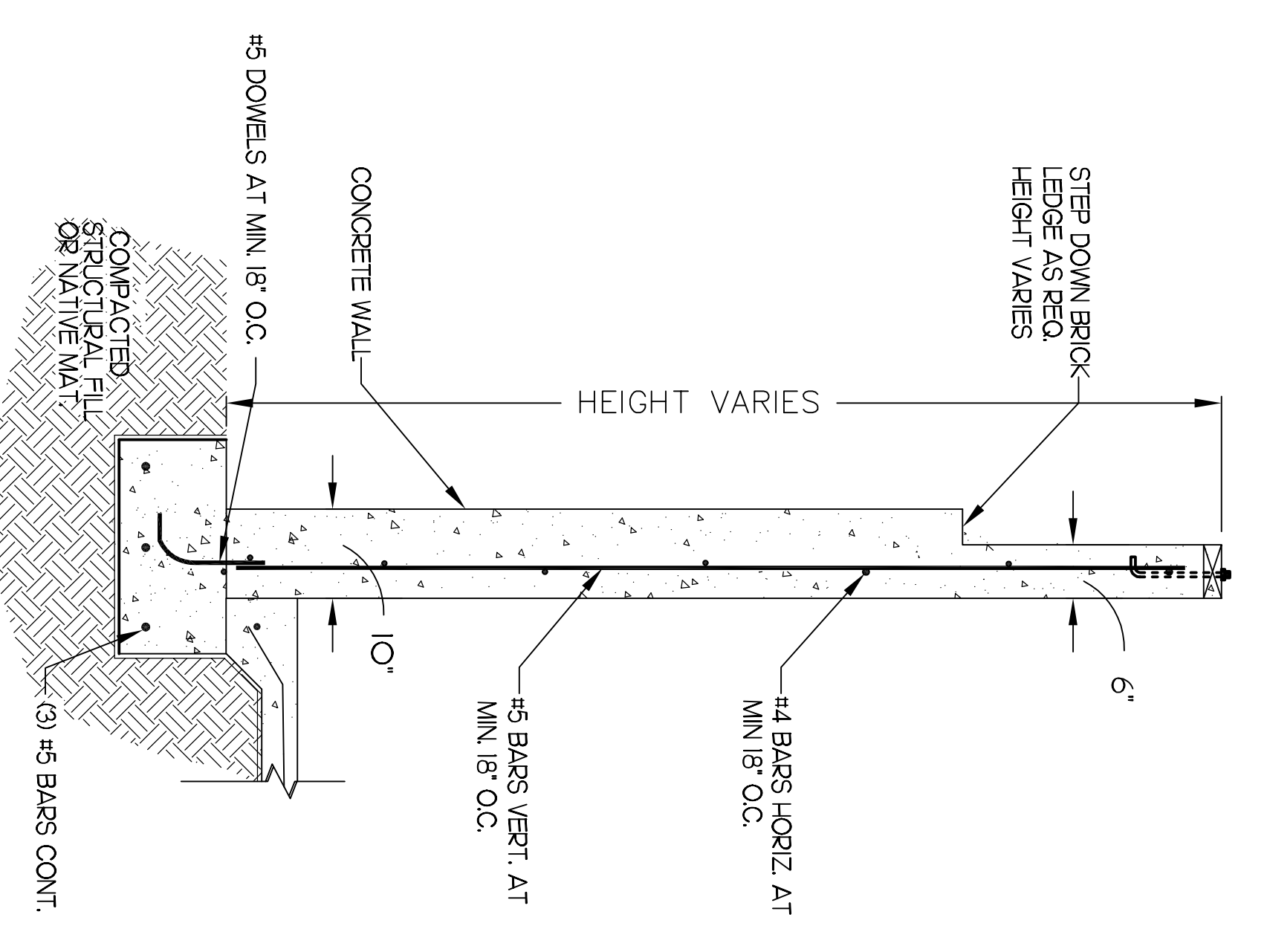
STEM WALL W/ SLAB



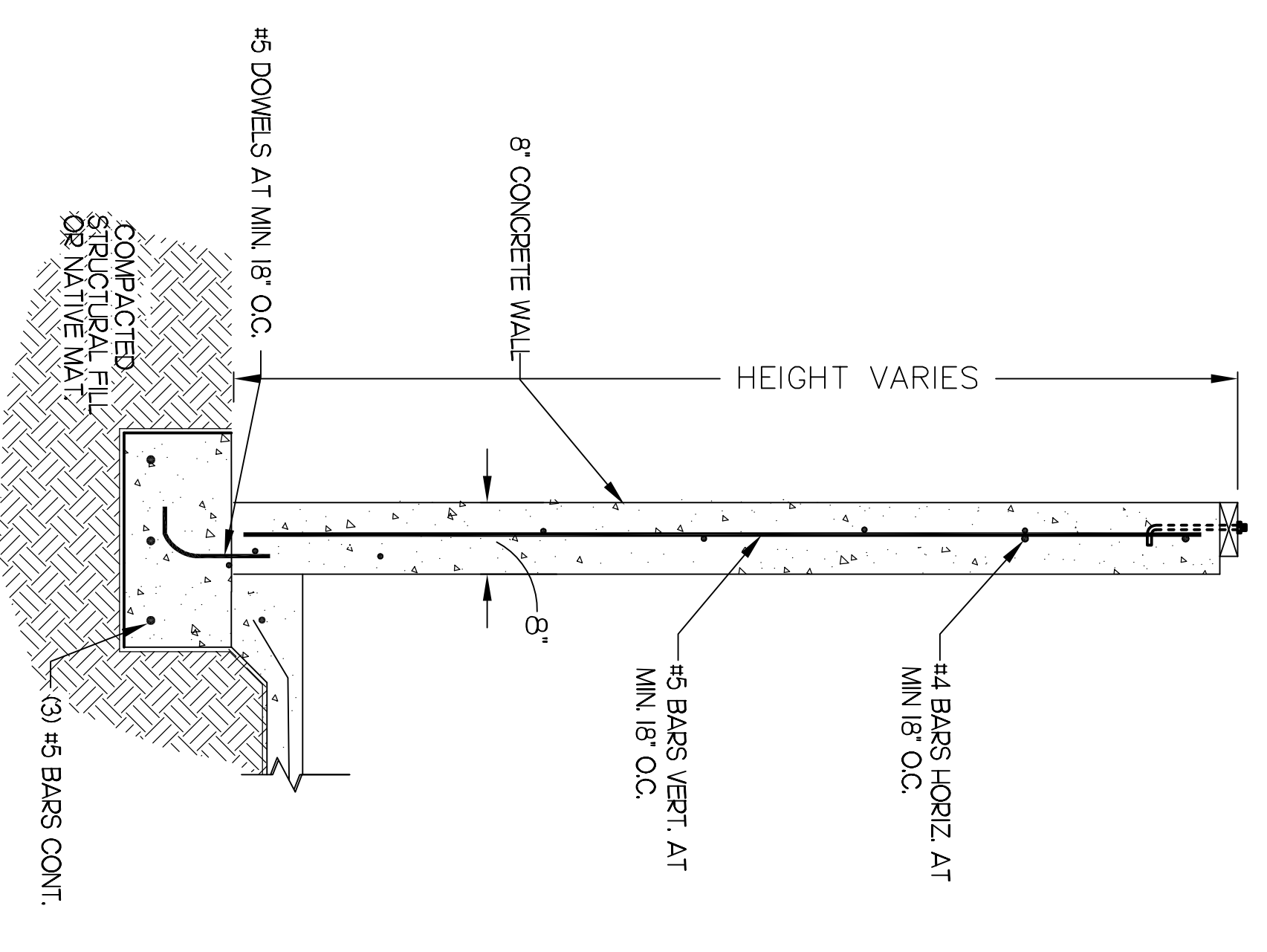
STEM WALL



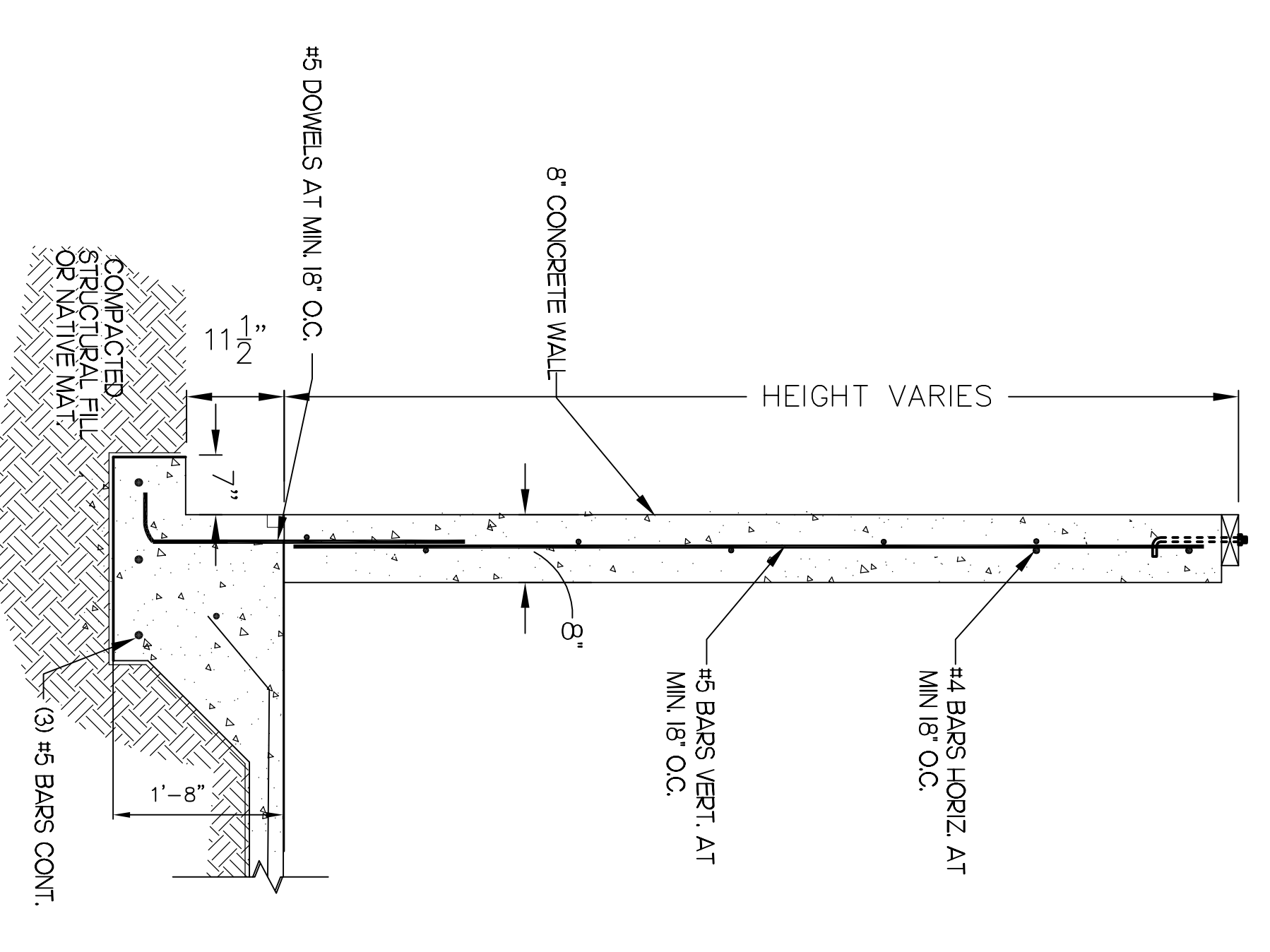
BASEMENT WALL - TURNED DOWN SLAB BL



BASEMENT WALL - FTG BL



BASEMENT WALL - FTG SLAB INSIDE



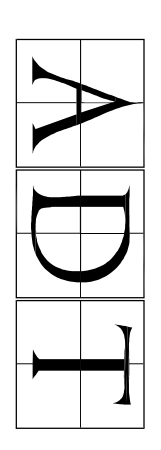
BASEMENT WALL - ON TURNED DOWN SLAB FTG

SHEET TITLE

WALL DETAILS

DATE:

JULY 09, 2012



CUSTOM DESIGNS
Semmes, AL

Phone: 256-257-5600
Email: addt@att.net

DRAWN BY:

ANTHONY TANNER

Wall Details for

John Hess

SHEET

OF